

**GUTTERCREST**

# Square & Rectangular Downpipes

*Extruded square and rectangular aluminium downpipes with neat plain collars and pipe clips. Also available as a flush jointed system. (Internal spigots)*

75x50

75 x 75

100 x 75

100 x 100

150 x 100

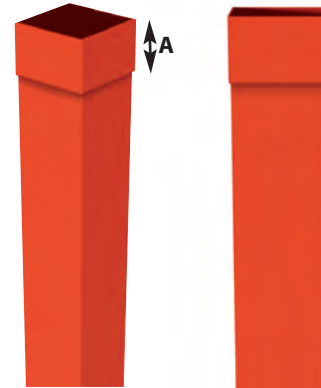
150 x 150



## SQUARE & RECTANGULAR DOWNPIPE SYSTEM

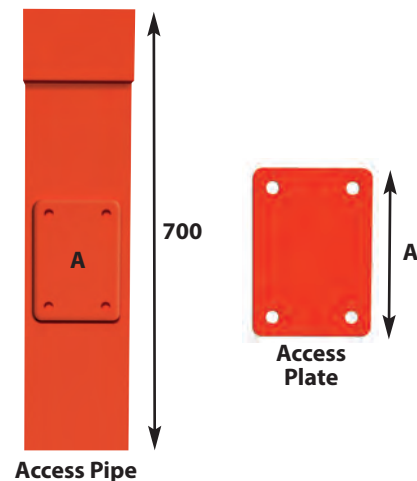
### DOWNPIPES

PIPE (mm)	3mtr	1.5mtr	1mtr	OTHER Specify length	WALL THICKNESS	A (mm)
75 x 50	RW32/1	RW32/4	RW32/5	RW32/6	1.6	60
75 x 75	RW33/1	RW33/4	RW33/5	RW33/6	1.6	60
100 x 75	RW43/1	RW43/4	RW43/5	RW43/6	2	60
100 x 100	RW44/1	RW44/4	RW44/5	RW44/6	2	60
150 x 100	RW64/1	RW64/4	RW64/5	RW64/6	2.5	80
150 x 150	RW66/1	RW66/4	RW66/5	RW66/6	3	80



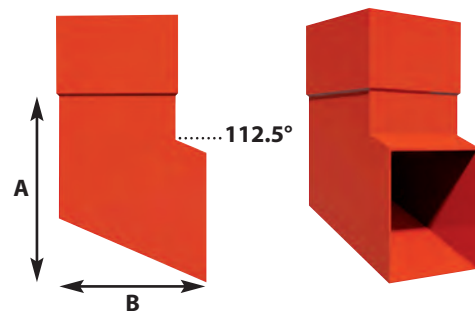
### ACCESS PIPES & PLATES

PIPE (mm)	ACCESS PIPE COMPLETE WITH PLATE	ACCESS PLATE ONLY	A (mm)
75 x 50	RW32/8	RW32/9	100
75 x 75	RW33/8	RW33/9	100
100 x 75	RW43/8	RW43/9	130
100 x 100	RW44/8	RW44/9	130
150 x 100	RW64/8	RW64/9	200
150 x 150	RW66/8	RW66/9	200



### SHOES

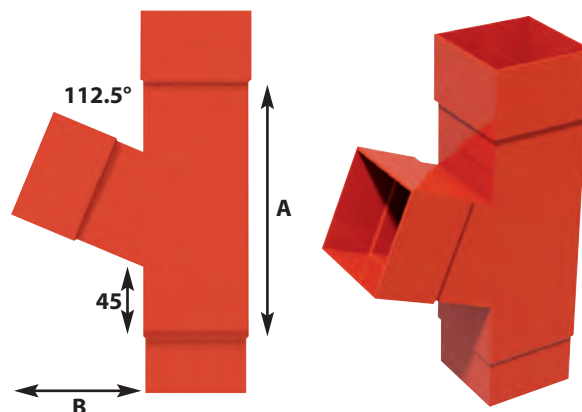
PIPE (mm)	SHOE	A (mm)	B (mm)
75 x 50	RW32/10	113	82
75 x 75	RW33/10	139	105
100 x 75	RW43/10	139	105
100 x 100	RW44/10	167	130
150 x 100	RW64/10	167	130
150 x 150	RW66/10	222	182



## SQUARE & RECTANGULAR DOWNPIPE SYSTEM

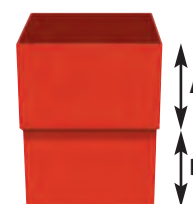
### BRANCHES

PIPE (mm)	BRANCH	A (mm)	B (mm)
75 x 50	RW32/11	165	120
75 x 75	RW33/11	165	120
100 x 75	RW43/11	180	140
100 x 100	RW44/11	180	140
150 x 100	RW64/11	245	160
150 x 150	RW66/11	245	160



### CONNECTORS

PIPE (mm)	CONNECTOR	A (mm)	B (mm)
75 x 50	RW32/12	60	50
75 x 75	RW33/12	60	50
100 x 75	RW43/12	60	50
100 x 100	RW44/12	60	50
150 x 100	RW64/12	80	60
150 x 150	RW66/12	80	60



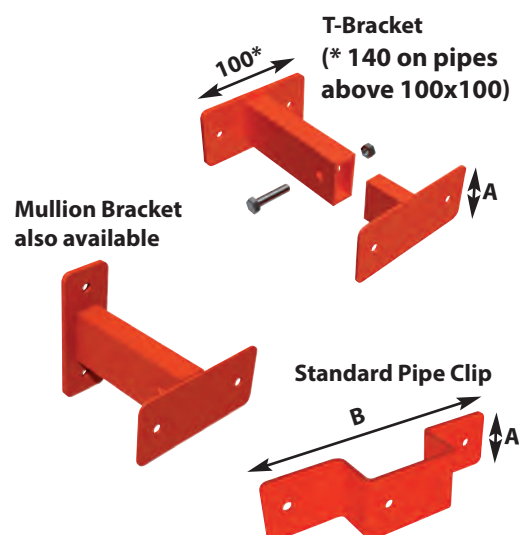
Ground adaptors available

### PIPE CLIPS

PIPE (mm)	PIPE CLIP	MAX 100T* BKT	MAX 200T* BKT	MAX 300T* BKT	A (mm)	B (mm)
75 x 50	RW32/16	RW32/17	RW32/18	RW32/19	40	175
75 x 75	RW33/16	RW33/17	RW33/18	RW33/19	40	175
100 x 75	RW43/16	RW43/17	RW43/18	RW43/19	40	200
100 x 100	RW44/16	RW44/17	RW44/18	RW44/19	40	200
150 x 100	RW64/16	RW64/17	RW64/18	RW64/19	40	245
150 x 150	RW66/16	RW66/17	RW66/18	RW66/19	40	245

Special brackets available on request.

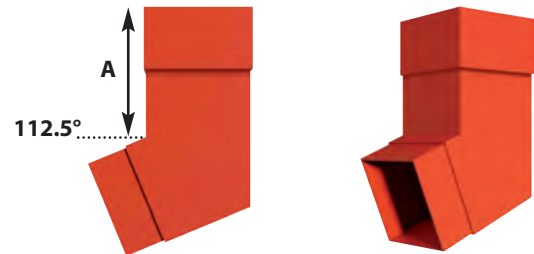
\* T = Projection from wall (mm)



## SQUARE & RECTANGULAR DOWNPIPE SYSTEM

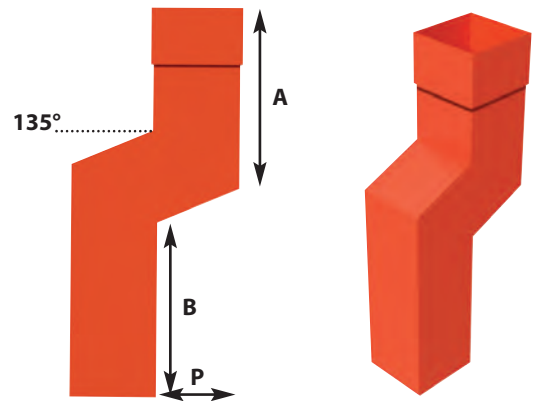
### BENDS

PIPE (mm)	BEND	A (mm)
75 x 50	RW32/21	125
75 x 75	RW33/21	125
100 x 75	RW43/21	125
100 x 100	RW44/21	125
150 x 100	RW64/21	125
150 x 150	RW66/21	125



### PLINTH OFFSETS

PIPE (mm)	OFFSET	A (mm)	B (mm)	P (mm)
75 x 50	RW32/23	140	200	
75 x 75	RW33/23	150	200	
100 x 75	RW43/23	150	200	Please state size required
100 x 100	RW44/23	160	200	
150 x 100	RW64/23	180	200	
150 x 150	RW66/23	202	200	



### 2 PIECE ADJUSTABLE SWAN NECKS

One-piece Swan Necks also available

PIPE (mm)	ONE PIECE STATE SIZE	MAXIMUM PROJECTION OF SWAN NECKS					OTHER	MINIMUM PROJECTION P
		300	450	600	900	1200		
75 x 50	RW32/25	RW32/26	RW32/27	RW32/28	RW32/29	RW32/30	Please Specify A, B & P, projection angle RW7/31	115
75 x 75	RW33/25	RW33/26	RW33/27	RW33/28	RW33/29	RW33/30		135
100 x 75	RW43/25	RW43/26	RW43/27	RW43/28	RW43/29	RW43/30		135
100 x 100	RW44/25	RW44/26	RW44/27	RW44/28	RW44/29	RW44/30		165
150 x 100	RW64/25	RW64/26	RW64/27	RW64/28	RW64/29	RW64/30		165
150 x 150	RW66/25	RW66/26	RW66/27	RW66/28	RW66/29	RW66/30	230	

